



## AJ16-Package



 **Ajax Dental Supplies Pty Ltd.**

Headquarter ADD: 10/19 Cornhill Street Ferntree Gully VIC 3156 (Showroom / Service Centre)  
NSW Branch: Unit 18 25-33 Alfred Road, Chipping Norton NSW 2170 (Showroom / Service Centre)  
Tel: 03 9879 3801      Mobile: 04 0233 9905      After sales hotline: 0478 635 358

E-mail: [info@ajaxdent.com.au](mailto:info@ajaxdent.com.au)



<http://www.ajaxdent.com.au>

# AJ16-Package 1

Rotatable chair mount with side box



## AJ16-Package 1

The chair is a new product of the AJAX series, with an advanced operating system. The ergonomic chair and integrated functions which can bring comfort to the patient and improve the efficiency of the dentist. This package provides more functionality and reduces complexity, and the price is very competitive.

### Left and right versatility

With left-right compatibility, the chair's working mode can be switched quickly and easily.

### Hydraulic chair

The reliable hydraulic system brings stronger power and makes the chair more stable.

### Rotatable side box

The rotatable side box provides you with more space and better flexibility.

### LED lights

Elegant design, touch-free sensor, 3-axis rotation, color temperature closer to natural sunlight, makes the patient's eyes more comfortable.

# AJ16-Package 2

Rotatable chair mount with side box



## AJ16 Package 2

Equipped with chair, swing-mounted delivery system, operating lights and assistant instruments, without cuspidor, concise and clear, more economical for customers.

## Easy-to-operate delivery head

Integrated control of 15 functions, easy for dentists to operate.

## Swing assistant instruments

HVE, saliva ejector and 3-way syringe, easy for positioning.

## Multi-function foot control paddle

Including chair position control, treatment control, Rinse and cup filling control.

# AJ16-Package 3

Fixed chair mount with side box

An integrated dental unit with side mounted delivery system and side box, cuspidor, dental light and assistant instruments.



# AJ16-Dental Chair

## Comfort

The luxuriously stitched microfiber leather upholstery provides better abrasion resistance and aviation-level comfort.



## Casting aluminum alloy patient chair

The integrally cast metal chair frame makes the system sturdy and durable.



## Headrest

Articulated dual-axis design is suitable for patients of different heights.



## Rotatable armrest

Provide support and convenient for the patient to lie on or get out of the dental chair.



## Japanese hydraulic pump

Provide enough power to support the movement of the chair.



## Aluminum casting wide backrest bracket

The ergonomic design makes the chair fully support the patient's back. The butterfly-shaped back cover also provides doctors with more operating space.



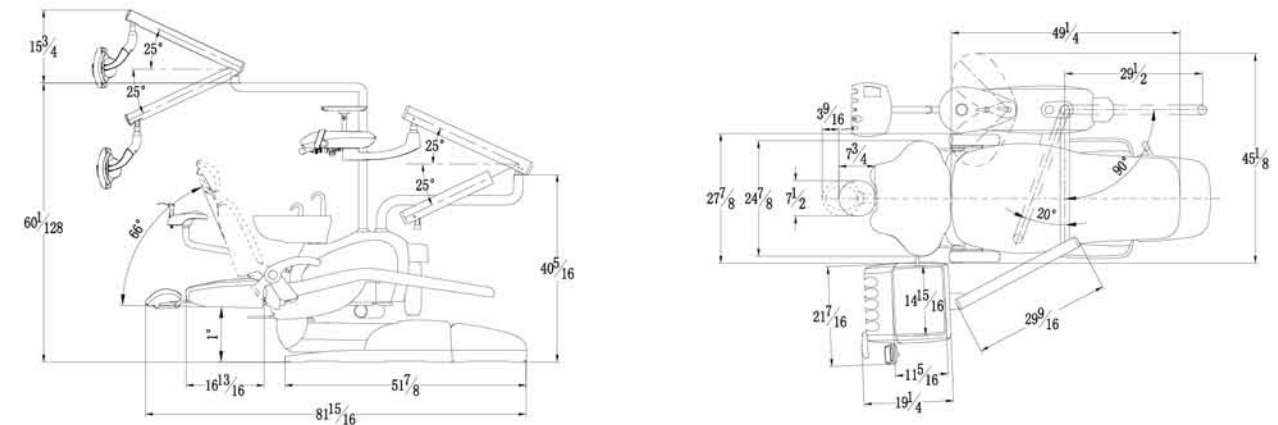
# AJ16-Configuration

	AJ16 Hydraulic Chair	AJ16 Motor Chair	AJ16 Package 1	AJ16 Package 2	AJ16 Package 3
<b>Patient Chair</b>	○	○	○	○	○
<b>Cast alluminum alloy chair</b>	○	○	○	○	○
Hydraulic system	●		●	●	●
DC24V electric motor system		●			
Articuable headrest	●	●	●	●	●
Left and right armrest	●	●	●	●	●
3 programmable postion	●	●	●	●	●
Multi-function foot control	●	●	●	●	●
<b>Junction box</b>			○	○	○
One switch control for water,air and power			●	●	●
<b>Delivery system</b>			○	○	○
<b>Hanging delivery head</b>			●	●	●
2 sts of turbine hose with fiber optic			●	●	●
Three way syringe			●	●	●
Build-in X-ray viewer			●	●	●
15 function control panel			●	●	●
Silicon pad for tray			●	●	●
Electric micromotor			●	●	●
<b>Water unit</b>			○		○
Swing and rotatable side box			●		
Fixed side box					●
Rotatable ceramic cuspidor			●		●
Pure water system			●		●
Solenoid vaves for rinsing and flushing			●		●
24V water heater			●		●
Hydrolytic resistance pipeline			●		●
<b>Assistant element</b>			○	○	○
Assistant instruments mounted on side box			●		●
Back mounted swing assistant instruments				●	
Three way syringe			●	●	●
HVE with adjustable switch			●	●	●
Saliva ejector			●	●	●
<b>Dental light</b>			○	○	○
AJAX LED dental light			●	●	●
<b>Dental Stool</b>			○	○	○
AJAX03 dentist stool with 6function			●	●	●
<b>Optinal</b>					
Electric motor driven chair			●	●	●
Continental delivery head (Top mounted)			●	●	●
Faro EDI LED dental light			●	●	●
Faro ALYA LED dental light			●	●	●
AJAX05 assistant stool			●	●	●
LED Curing light			●	●	●
Ultrasonic scaler			●	●	●
High speed handpieces			●	●	●
Monitor with arm			●	●	●
Cart system			●	●	●

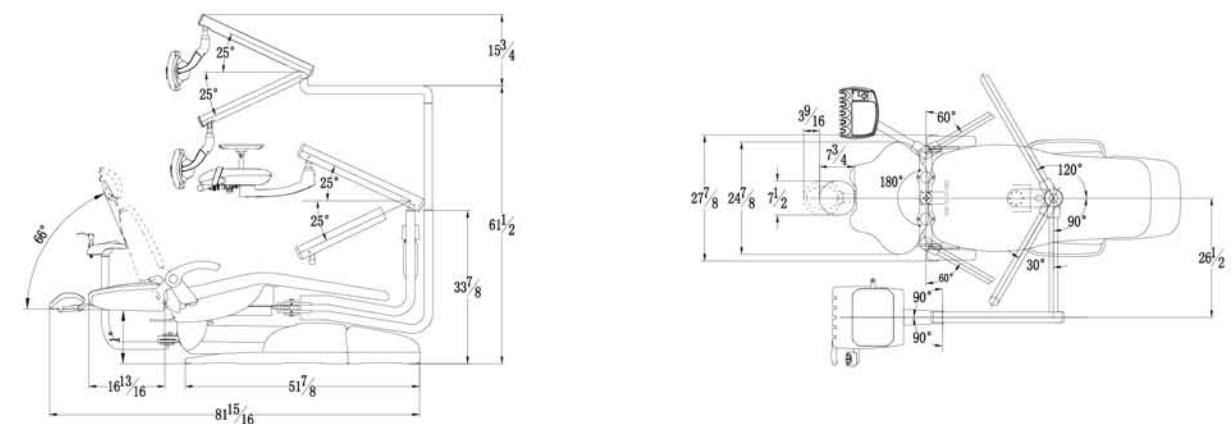
# Dimensions

Unit:inch

## AJ16-Package 1



## AJ16-Package 2



## AJ16-Package 3

